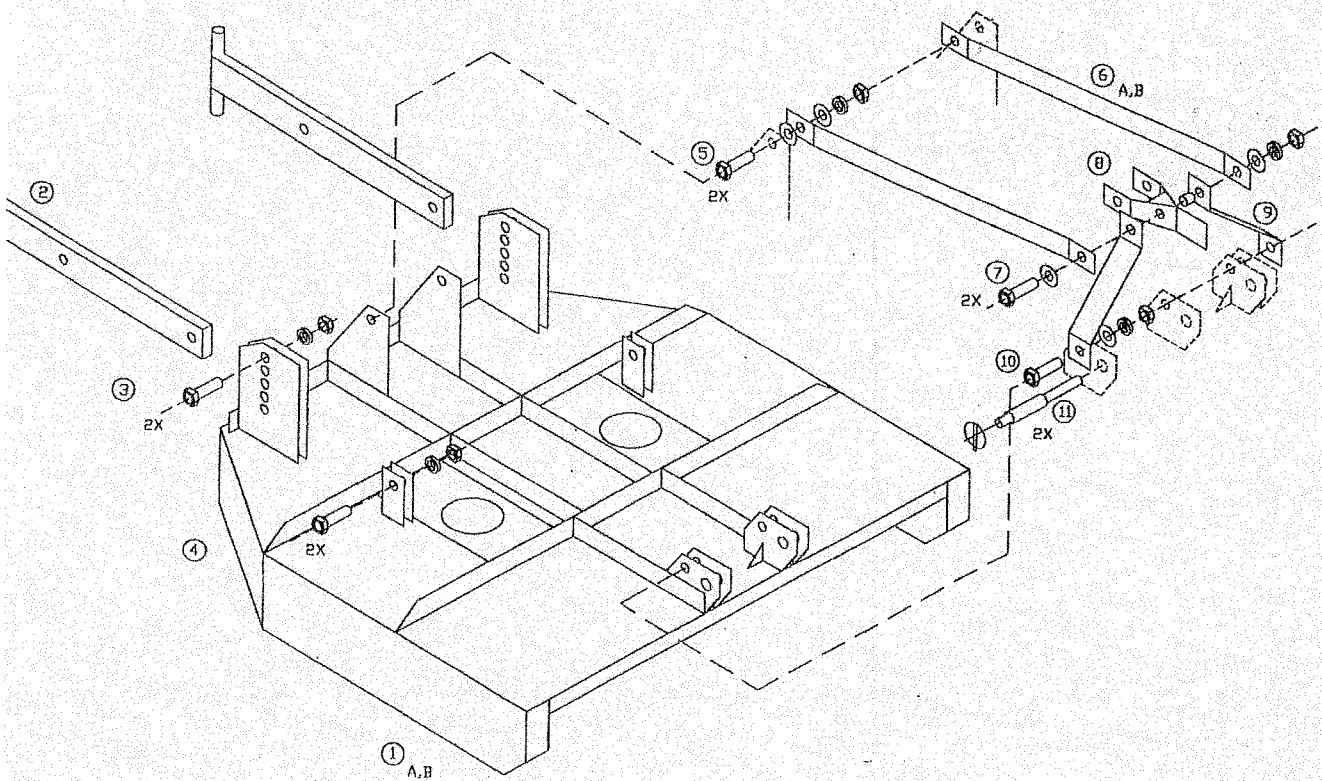
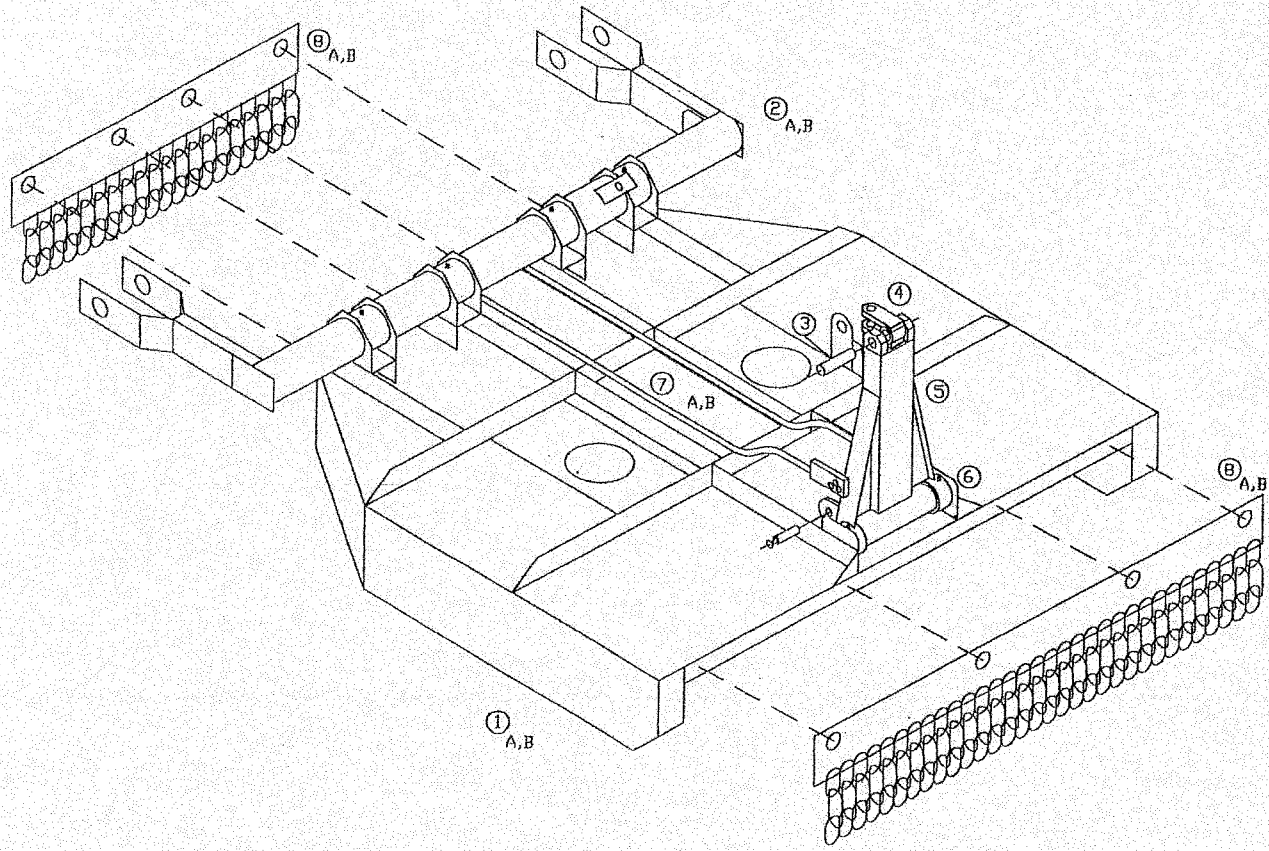


3 Point Main Deck



Pull Main Deck



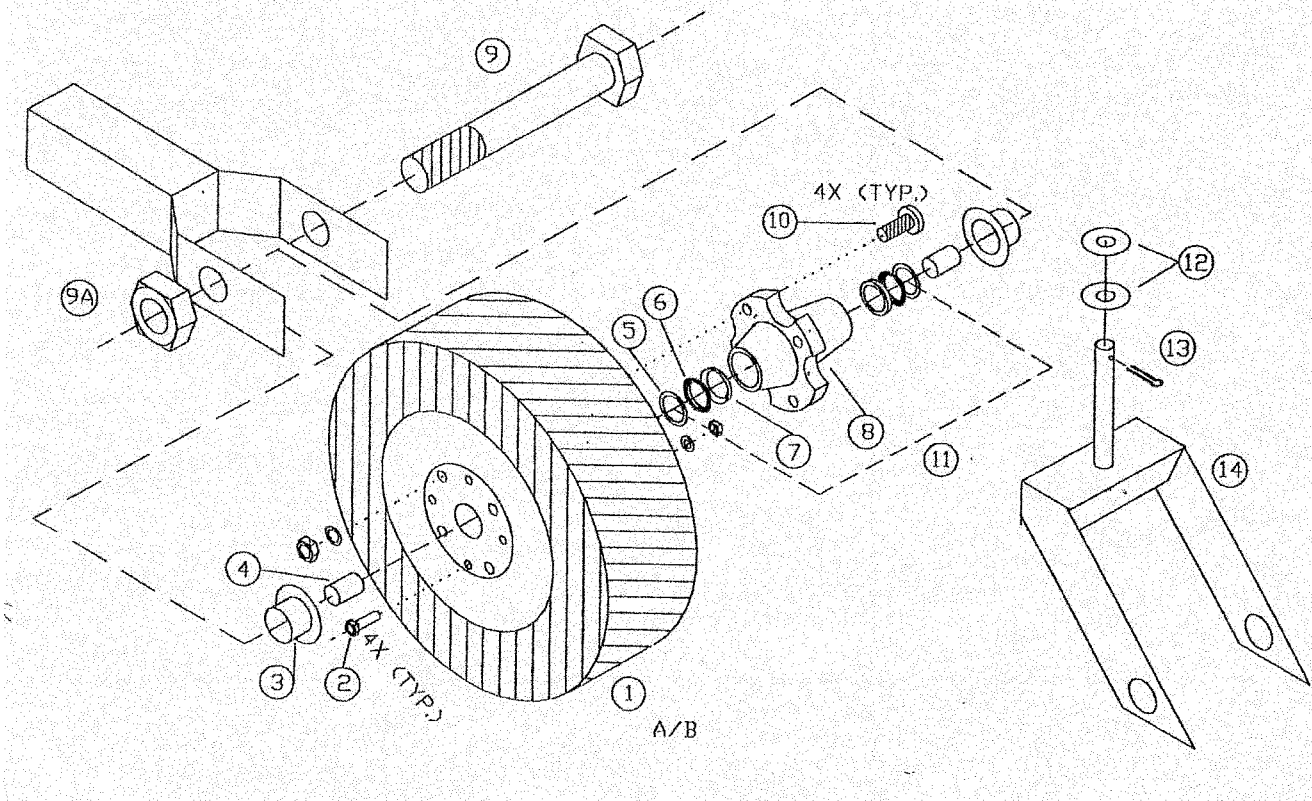
3 Point Main Deck

Ref.	Part Number	Description
1A	RC8001	Deck Super 8 3pt.
1B	RC10001	Deck Super 10 3pt.
2	RC10005	Wheel Mount Super 8/10 3 pt.
3	RC10006	Bolt/Nut/Washer (Wheel Mount Rear)
4	RC10007	Bolt/Nut/Washer (Wheel Mount Front)
5	RC10008	Bolt/Nut/Washer (Brace Bar)
6A	RC8003	Brace Bar Super 8 3pt.
6B	RC10003	Brace Bar Super 10 3pt.
7	RC10009	Bolt/Nut/Washer (Swivel)
8	RC10010	3 pt. Swivel
9	RC10011	3 pt. A-Frame
10	RC10012	Bolt/Nut/Washer (A-Frame Mounting)
11	RC10013	Lift Arm Pin

Pull Main Deck

Ref.	Part Number	Description
1	RC08002	Deck Super 8 Pull Type
	RC10002	Deck Super 10 Pull Type
2	RC8004	Wheel Axle Super 8 Pull
	RC10004	Wheel Axle Super 10 Pull
3	RC10014	Clevis Swivel Pin
4	RC10015	Pull Tongue Clevis
5	RC10016	Pull Tongue
6	RC10017	Grease Fitting
7	RC3005	Leveling Arm Super 8
	RC10030	Leveling Arm Super 10
8	RC8017	Safety Chain Front & Rear Super 8 (optional)
	RC10037	Safety Chain Front & Rear Super 10 (optional)

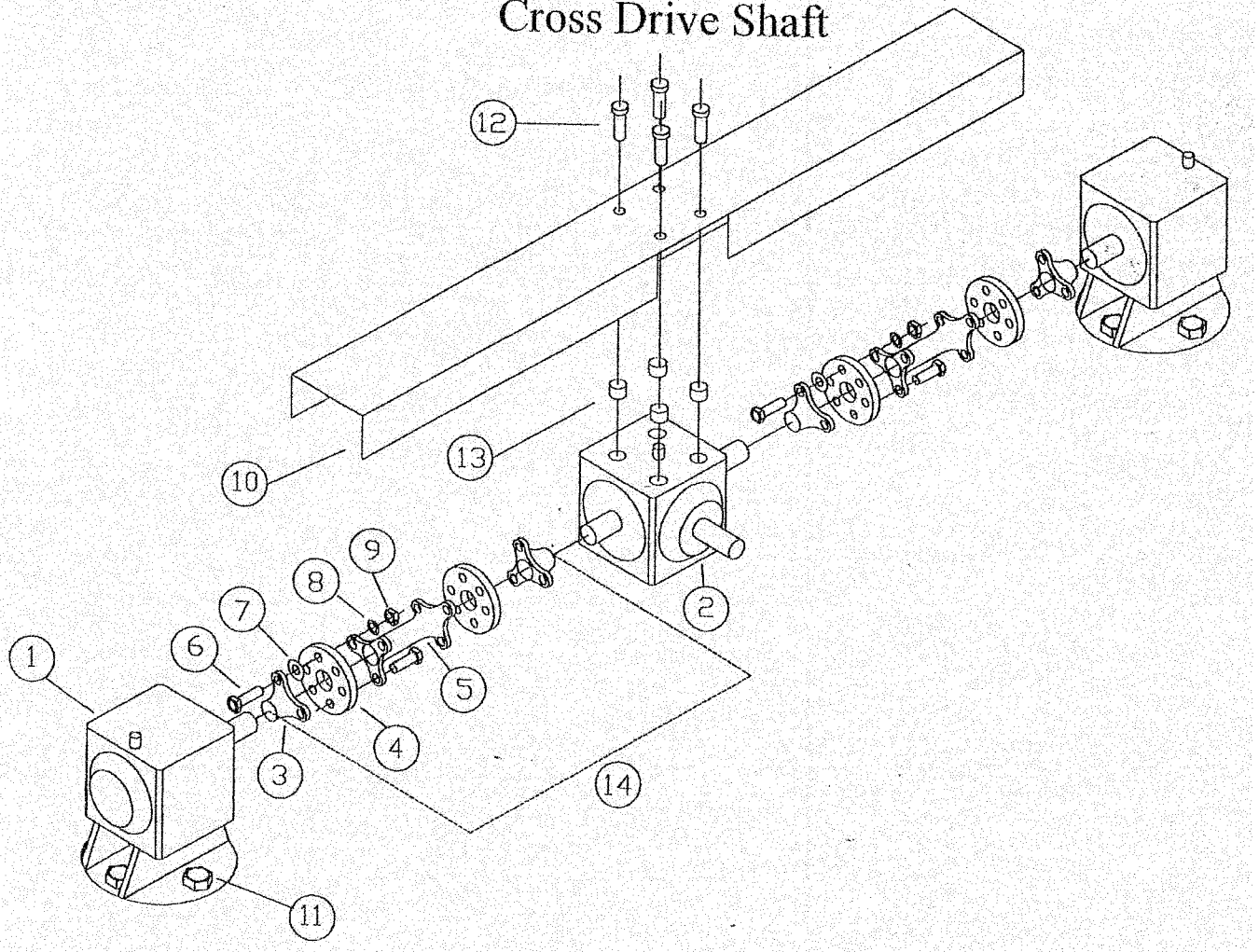
Tailwheel



Tailwheel

Ref.	Part Number	Description
1A	RC8018	Tailwheel Super 8
1B	RC10018	Tailwheel Super 10 Pull
2	RC10019	Bolt/Nut/Washer (Wheel Mounting)
3	RC10020	Bushing (Outer)
4	RC10021	Bushing (inner)
5	RC10022	Grease Seal
6	RC10023	Bearing
7	RC10024	Bearing Race
8	RC10025	Cast Hub
9	RC10026	Axle Bolt
9A	RC10026A	Nut for Axle Bolt
10	RC10027	But/Bolt/Washer (Hub Mounting)
11	RC10029	Hub Assembly Complete
12	RC8019	Washer
13	RC8020	Cotter Pin
14	RC8021	Tailwheel fork (3 pt only)

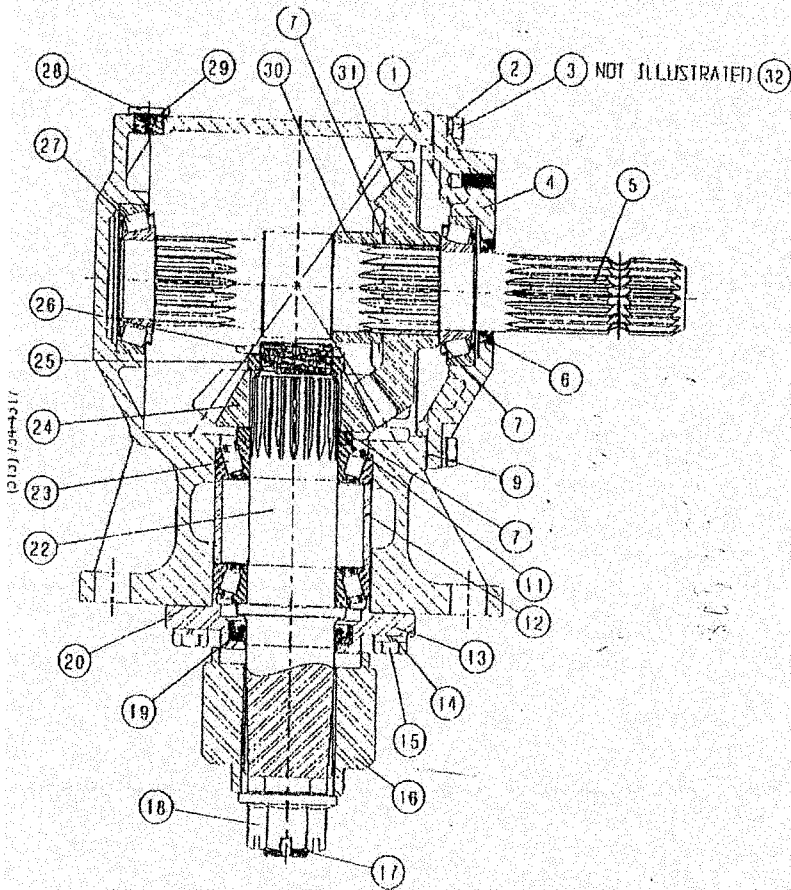
Cross Drive Shaft



Cross Drive Shaft

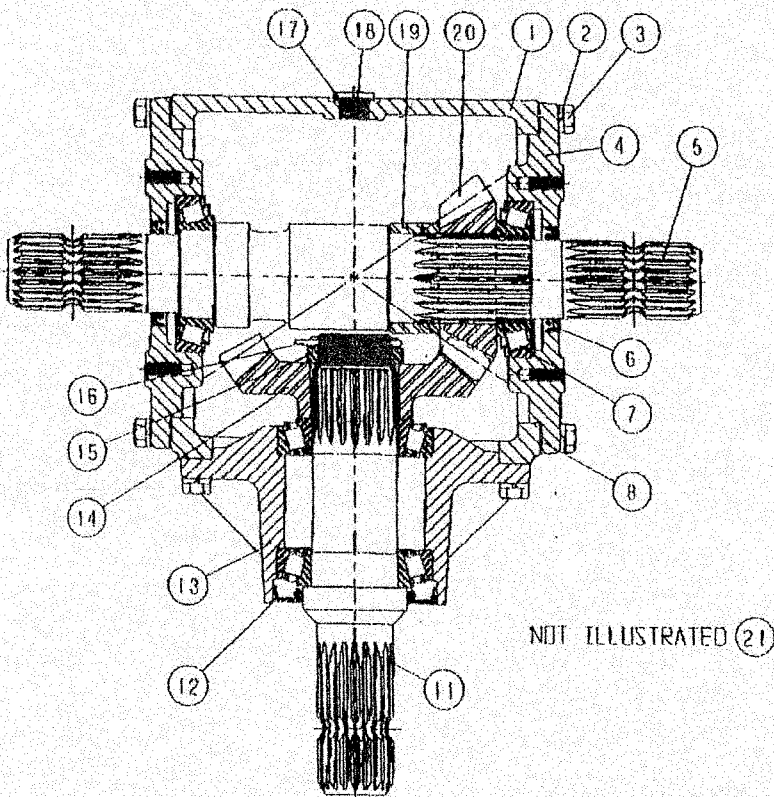
Ref.	Part Number	Description	Qty
1	RC 01-034	105 HP Side Right Angle Gearbox	2
2	RC 01-065	210 HP Divider Gearbox	1
3	EC 1785068	20 Spline Yoke C.D.S.	4
4	EC 1785273	Fiber Shock Pad	4
5A	RC 8-75	Drive Shaft Super 8	1
5B	RC 10-75	Drive Shaft Super 10	1
6	EC 1786489	Bolt	24
7	EC 1786490	Washer	24
8	EC 1786491	Washer	24
9	EC 1786492	Nut Self Locking	24
10A	RC 8-162	Protective Cover Super 8	1
10B	RC 10-162	Protective Cover Super 10	1
11	RC 8-89	Gear Mounting Bolts 3/4x2 1/2 grade 5 with flatwasher, lockwasher, and lock nut	12
12	RC 8-163	Protective Cover Mounting Bolt 5/8x2	4
13	RC 8-164	Spacer	4
14A	EC GE5-302	Complete C.D.S. Super 8	
14B	EC GE5-387	Complete C.D.S. Super 10	

Side Gearbox



Pos.	Part Number	Description
1	18-001	Housing
2	07-001	D10 Lockwasher
3	08-003	M 10x1.5x30 Hex Head Cap Screw
4	20-001	Input Cap
5	02-003	Input Shaft
6	05-007	Input Seal
7	17-002	Gear Adjusting Shim (.30)
9	08-006	Input Cap Gasket (.10)
11	10-016	Gear Mounting Spacer
12	10-003	Output Spacer
13	20-002	Output Cap
14	07-002	D12 Lockwasher
15	08-002	M 12x1.75x38 Hex Head Cap Screw
16	15-002	2.5" Blade Hub
17	12-003	Cotter Pin
18	11-008	1" - 14 Flanged Nut
19	05-008	Output Oil Seal
20	08-001	Output Cap Gasket (.10)
22	02-004	Output Shaft
23	04-011	Bearing Assembly
24	03-008	13 Tooth Gear
25	11-012	Bearing Adjusting Nut
26	12-008	Cotter Pin
27	04-017	Bearing Assembly
28	09-013	M 18 Drain Plug
29	07-022	Sealing Washer
30	10-001	Spacer
31	03-009	19 Tooth Gear
32	09-011	M 18 Vent Plug

Center Gearbox



Pos.	Part Number	Description
1	18-020	Housing
2	07-001	D10 Lockwasher
3	06-003	M 10x1.5x30 Hex Head Cap Screw
4	20-021	Thru Cap
5	02-041	Thru Shaft
6	05-007	Oil Seal
7	04-011	Bearing 7210
8	08-006	Gasket (.30)
11	02-039	Input Shaft
12	05-012	Oil Seal
13	20-018	Input Hub Cap
14	03-009	19 Tooth Gear
15	11-012	Bearing Adjusting Nut
16	12-008	Cotter Pin
17	07-022	Sealing Washer
18	09-013	M 18x1.5 Level Plug
19	10-001	Spacer
20	03-008	13 Tooth Gear
21	09-011	M 18x1.5 Vent Plug

NOT ILLUSTRATED (21)